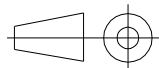
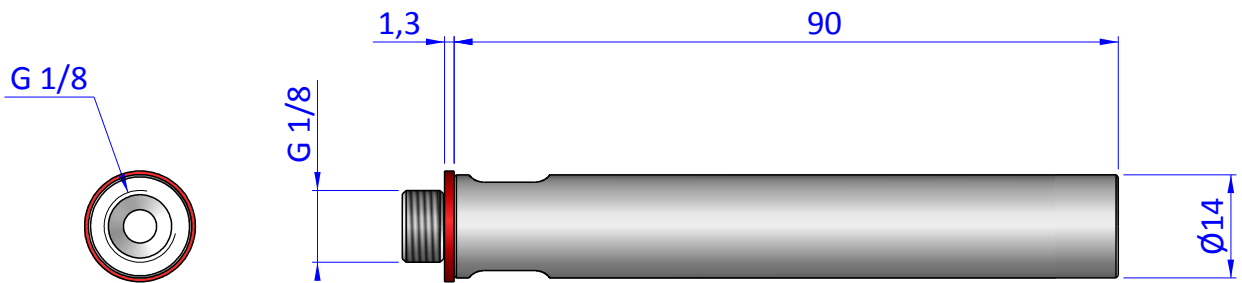
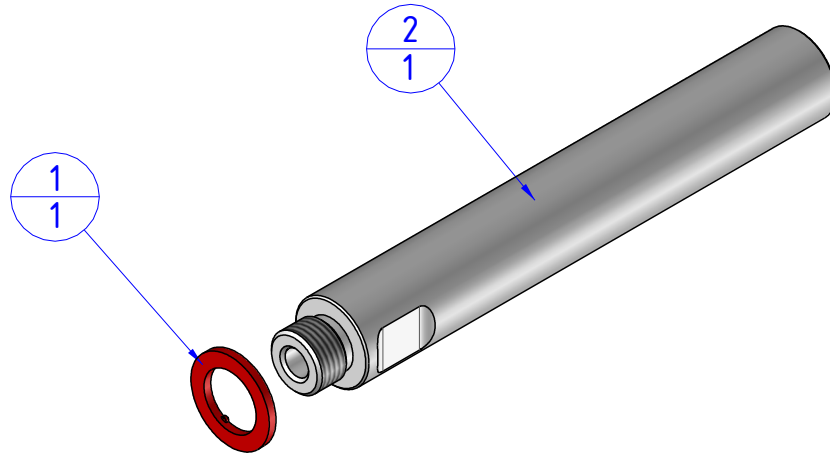


THE PROPERTY OF THE DRAWING IS ESTABLISHED BY LAW. IT IS FORBIDDEN TO PRODUCE OR SHOW IT TO THIRD PART. WITHOUT A WRITTEN AGREEMENT.

Item	Name	Qty.
1	CA.08.09.18	1
2	GSEG.141890	1



<b>Format</b> A4  <b>UNI 936-76</b>	<b>GENERAL TOLERANCE</b> UNI - ISO 2768 CLASSE f		<b>DESCRIPTION</b>  CA.GSEG.141890		<b>DESIGNED FROM</b> FPSERVICES	<b>REVIEW</b> A
			<b>DATE</b> 27/02/2019	<b>WEIGHT</b> 0,026kg		
			<b>CODE</b> CA.GSEG.141890			